

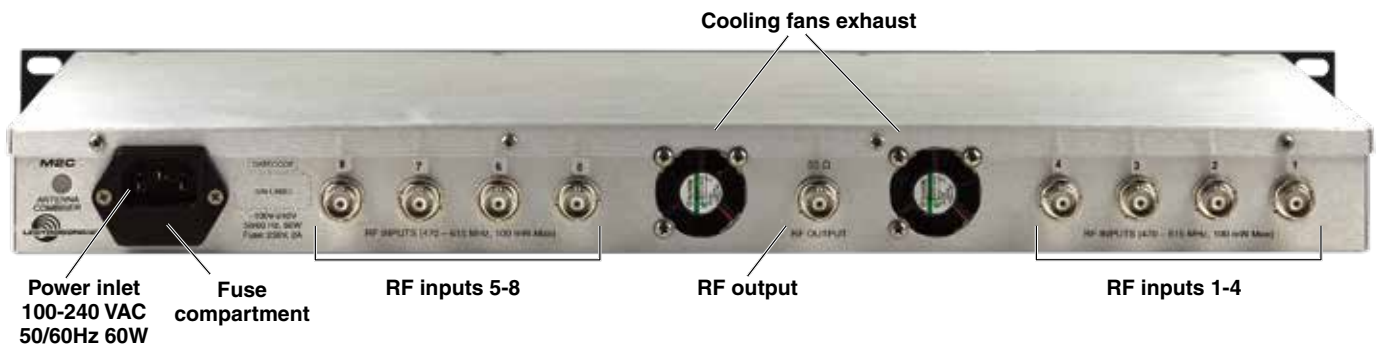
Active Antenna Combiner



- Combines up to eight transmitter RF output signals to feed a single antenna
- Frequency range 470 to 614 MHz
- High overload components minimize intermodulation products
- Up to 100mW input on each port
- Efficient architecture for low power consumption
- USB port for firmware updates
- Front panel LEDs indicate active channel
- Made in the USA

The M2C active antenna combiner is designed as an ideal matching component to Lectrosonics digital transmitters. Up to eight transmitters can feed a single antenna to minimize cabling in multi-channel systems. The inputs are isolated to minimize crosstalk and IM (intermodulation) between RF channels.

The overall architecture of the design provides excellent performance with low power consumption and heat buildup. Front panel indicators display active status of RF inputs. A USB port on the front panel is provided for firmware updates.



Specifications

RF frequency range:	470 to 614 MHz
Input impedance:	50 ohm
Output impedance:	50 ohm
Input connectors:	(8) BNC; 50 ohm
Output connector:	BNC; 50 ohm
RF gain:	0dB
Indicators:	LEDs; glow green when signal present; blink red with fault
RF input threshold for LED indication:	5dBm
Operating temperature range:	-20 to 50° C
Power requirements:	100-240 VAC; 50/60 Hz
Power consumption:	60W maximum
Power inlet fuse:	250 VAC, 2A
Dimensions:	19.00 x 1.75 x 9.50 in. 483 x 45 x 241 mm.

Block Diagram

M2C Combiner Block Diagram

